

e 904 Dynamic instrument microphone for drum applications

FEATURES

- Full, impressive, lively sound for drums and percussion
- Very fast attack
- Compact body ideal for mounting on toms and snares
- Excellent sound profiling, adapts to all percussive styles
- Robust reinforced metal casing

The cardioid **e 904** is a dynamic instrument microphone specifically designed for drum applications. Featuring a very short body with integrated stand mount and a universal rim clip, the e 904 provides great sound without getting in the way in even the most crowded setups.



ARCHITECT'S SPECIFICATIONS

The instrument microphone shall be a dynamic cardioid designed for use with drums and percussion. It shall have a compact design and a robust metal body and shall feature an integrated stand mount and a universal rim clip. The frequency response shall be 40 Hz-18,000 Hz and the sensitivity (free field, no load) shall be 2 mV/Pa at 1 kHz. Nominal impedance shall be 350 Ω , with a min. terminating impedance of 1 k Ω . The microphone shall provide a 3-pin XLR connector. Dimensions shall be 63 x 41 mm (2.48" x 1.61"). Weight shall be 125 grams (4.40 oz). The microphone shall be the Sennheiser e 904.

TECHNICAL DATA

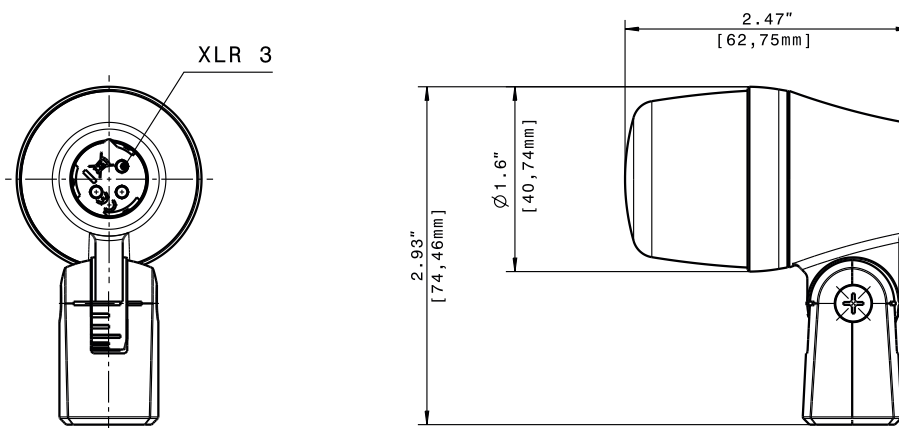
Transducer principledynamic
Pick-up pattern.....cardioid
Frequency response40.....18,000 Hz
Sensitivity (free field, no load at 1 kHz)2 mV/Pa
Nominal impedance.....350 Ohm
Min. terminating impedance1000 Ohm
Connector.....XLR-3
Dimensions.....63 x 41 mm
Weight.....125 g

DELIVERY INCLUDES

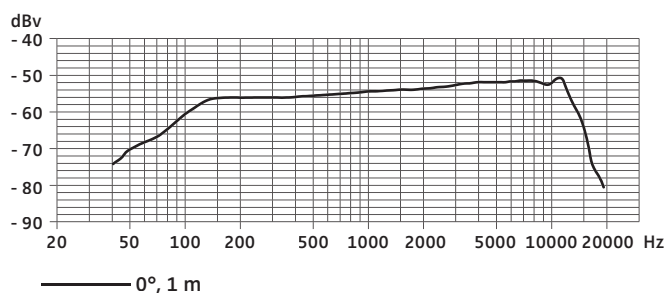
- 1 e 904
- 1 MZH 604 drum clamp
- 1 pouch
- Instructions for use

e 904 Dynamic instrument microphone for drum applications

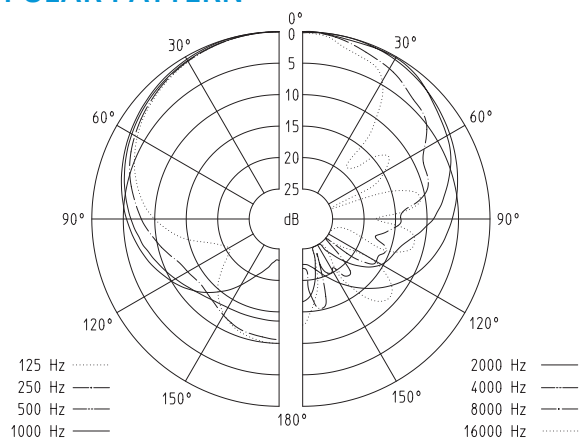
DIMENSIONS



FREQUENCY RESPONSE



POLAR PATTERN



RECOMMENDED ACCESSORIES

MZH 604 – improved L-shaped drum clamp for E604, E904

Cat. No. 005299

Sennheiser electronic GmbH & Co. KG
 Am Labor 1, 30900 Wedemark, Germany
www.sennheiser.com