

Instruction Manual



Wireless Monitor Headphones System

HDJ-F10 HP-TX01

alphatheta.com/support/

For FAQ and other support information for this product, visit the website above.

Introduction

How to read this manual

- Thank you for purchasing this AlphaTheta product.
Be sure to read this manual, the Quick Start Guide and the Precautions for Use which are also included with this product. These documents include important information that you should understand before using the product.
- The specifications and design of this product are subject to change without notice.

What's in the box

HDJ-F10 Professional Wireless DJ Headphones

- Headphones × 1
- 1.2 m coiled cable (approximately 3.0 m when extended) × 1
- ø6.3 mm (ø1/4") stereo plug adapter (threaded type) × 1
- USB charging cable (USB Type-C to USB Type-C) 0.5 m × 1
- Pair of spare ear pads × 1
- Carry pouch × 1
- Quick Start Guide × 1
- Precautions for Use × 1
- Warranty for use in Japan (printed in the Precautions for Use)
Warranty certificates for Europe and North America are included in the box.

HP-TX01 Transmitter for Professional Wireless DJ Headphones

- Transmitter × 1
- 1.6 m (62.99") straight cable × 1
- USB charging cable (USB Type-C to USB Type-C) 0.5 m × 1
- Quick Start Guide × 1
- Precautions for Use × 1
- Warranty for use in Japan (printed in the Precautions for Use)
Warranty certificates for Europe and North America are included in the box.

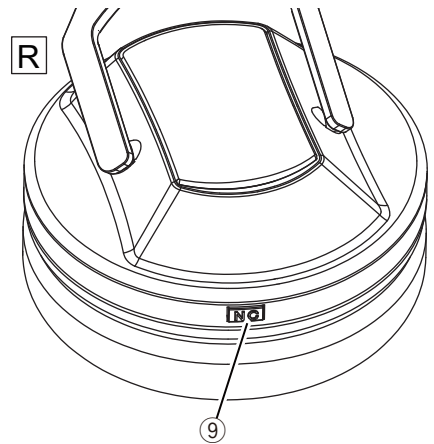
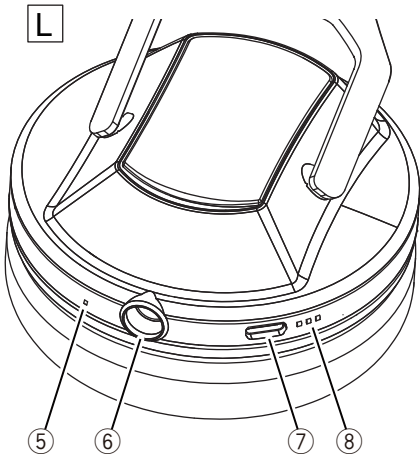
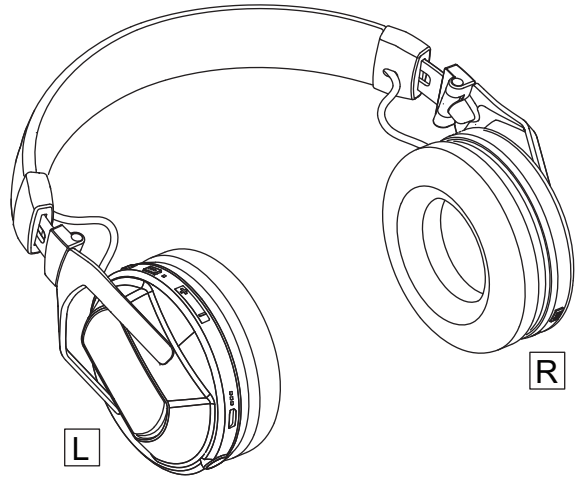
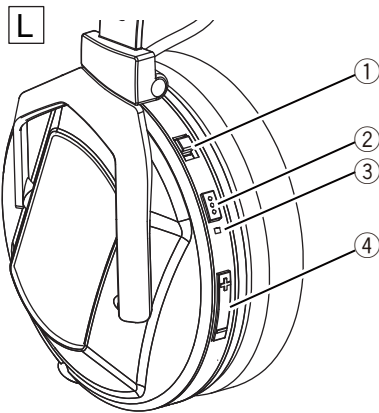
HDJ-F10-TX Professional Wireless DJ Headphones and Transmitter

- Headphones × 1
- Transmitter × 1
- 1.6 m (62.99") straight cable × 1
- ø6.3 mm (ø1/4") stereo plug adapter (threaded type) × 1
- USB charging cable (USB Type-C to USB Type-C) 0.5 m × 2
- Pair of spare ear pads × 1
- Carry pouch × 1
- Quick Start Guide × 1
- Precautions for Use × 1
- Warranty for use in Japan (printed in the Precautions for Use)
Warranty certificates for Europe and North America are included in the box.

Operating Methods

Part names

Headphones



① **Connection mode switch**

Switches between the wireless connection modes.

② Multifunction button

Use for the following operations.

- Power ON/OFF
- Pairing with wireless devices
- Play/Pause/Skip to next track/Back to the beginning of the current track
- Call

③ Connection indicator LED

Blinks specific sequences and colors to indicate the wireless connection status of the headphones.

④ Volume buttons

⑤ Microphone

⑥ Input terminal

Connect the supplied straight cable.

⑦ Charging terminal

Connect the supplied USB charging cable (USB Type-C) to charge.

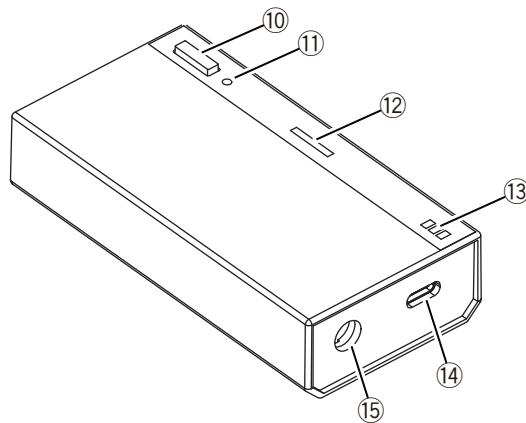
⑧ Battery level indicator LED

The lighting state of the LED indicates power ON/OFF and the remaining battery level.

⑨ Noise canceling button

Switches the noise canceling function on and off.

Transmitter



⑩ **[STANDBY/-PAIRING] button**

Use this when power on/off the transmitter and pairing with the headphones.

⑪ **Connection indicator LED**

Blinks specific sequences to indicate the status of SonicLink connection with the headphones.

⑫ **Input indicator LED**

Blinks specific sequences and colors to indicate the input signal status.

⑬ **Battery level indicator LED**

The lighting state of the LED indicates the remaining battery level.

⑭ **Charging terminal**

Connect the supplied USB charging cable (USB Type-C) to charge.

⑮ **Input terminal**

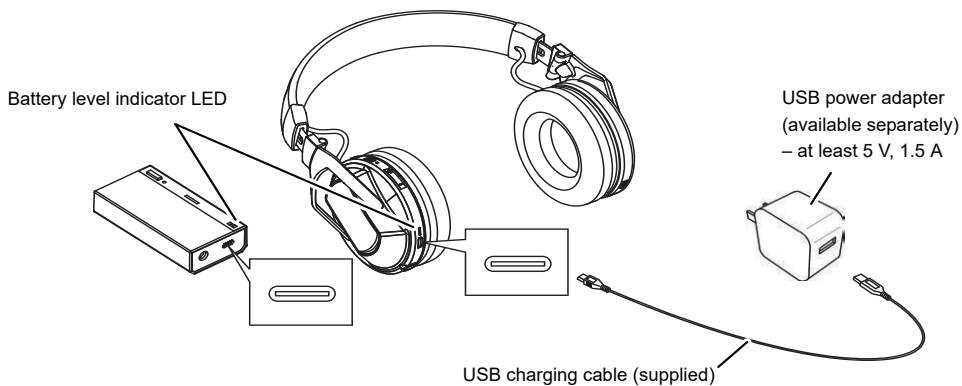
Connect the supplied straight cable.

How to charge the headphones and transmitter

Be sure to charge the headphones and transmitter when using them for the first time.

1 Connect the headphones or transmitter to a USB power adapter (available separately) with the supplied USB charging cable.

- The battery level indicator LED lights (white).
- The battery level indicator LED lights (white) while charging and turns off when charging is complete.
- Use a 5 V USB power adapter with an output current of at least 1.5 A.
- Fully charging from an empty state takes approximately 2.5 hours (headphones)/ 4 hours (transmitter).



Notes

- **Bluetooth[®]/MD** and SonicLink can't be used during charging.
- The recommended charging temperature range is 10 °C to 35 °C (+50 °F to +95 °F).
- The headphones can't be turned on while charging.
- If you start charging while the power is on, the headphones automatically turn off.
- Using the transmitter while charging it may cause charging to take more time.
- If you use the transmitter while charging, unwanted noise may occur in the headphones depending on the connected power supply device.
- Do not use any cable other than the supplied USB charging cable.

Cautions regarding the USB charging cable

- Do not use connectors if the terminal section has been twisted.
- When connecting the connector, check the connection direction and insert it straightforward.
- Do not allow fluids (e.g. sweat or water) or foreign matter (dust or small items of debris, metal, etc.) to stick to the connector section.

Turning the headphones power on/off

Turning the power on

- 1 Press the multifunction button for approximately 2 seconds.**
Hold the button down to enter pairing mode.

Turning the power off

- 1 Press the multifunction button for approximately 3 seconds while the power is on.**
 - Turning the headphones power off while connected to the transmitter via SonicLink, or switching connection mode to Bluetooth mode also turns transmitter power off.

Turning the transmitter power on/off

Turning the power on

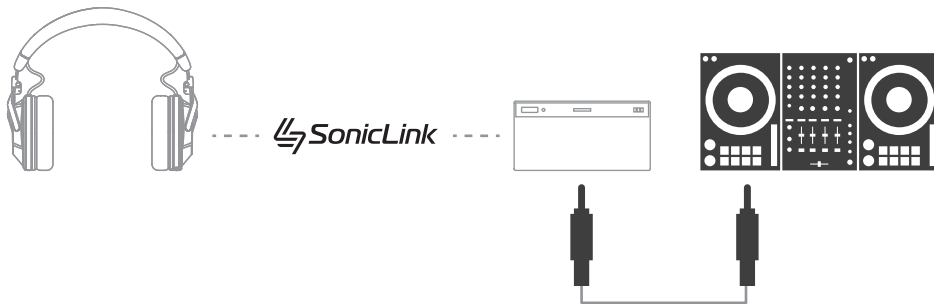
- 1 Press and hold the pairing button for approximately 2 seconds.**
Hold the button down to enter pairing mode.

Turning the power off

- 1 Press the pairing button for approximately 3 seconds while the power is on.

Connecting via SonicLink

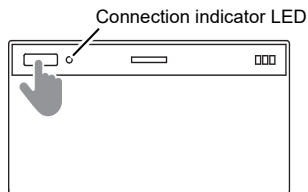
Connect to the transmitter



- 1 Connect the transmitter to the headphones jack of a DJ device (such as a DJ mixer or DJ controller) using the supplied straight cable (Page 17).
- 2 Make sure the headphones are within approximately 1 m of the transmitter.

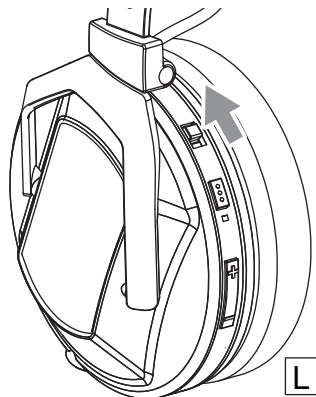
- 3 **With the power turned off, press and hold the pairing button on the transmitter until the connection indicator LED blinks (white).**

Pairing a device: Approx. 5 seconds



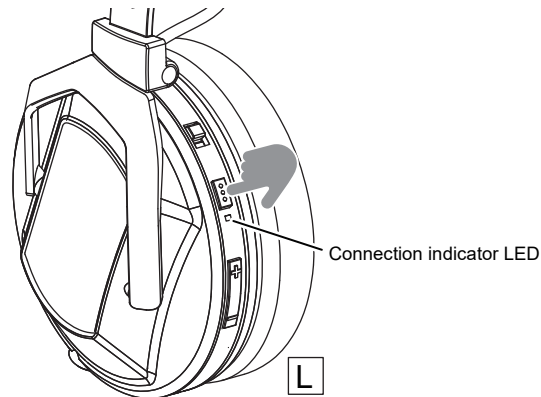
- When the transmitter enters pairing mode, the connection indicator LED blinks (white).

- 4 **Slide the headphones connection mode switch up to switch to SonicLink mode.**



5 With the power turned off, press and hold the multifunction button on the headphones until the connection indicator LED blinks (white).

Pairing a device: Approx. 5 seconds



- When the headphones enter pairing mode, the connection indicator LED blinks (white).
- Make sure the power is turned off before performing the above operation.

6 Check the connection with the transmitter on the headphones.

- The connection indicator LED blinks (white) until connection with the transmitter is complete.
- When the connection indicator LED lights (white), pairing is complete.

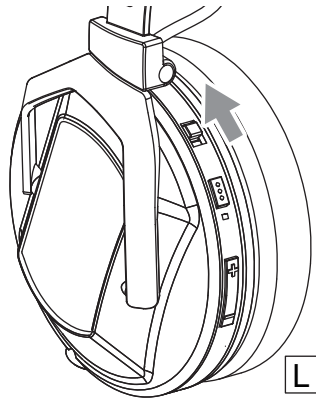
Connect to a DJ device equipped with SonicLink



Please refer to the manual for the connected DJ device for information on how to use it.

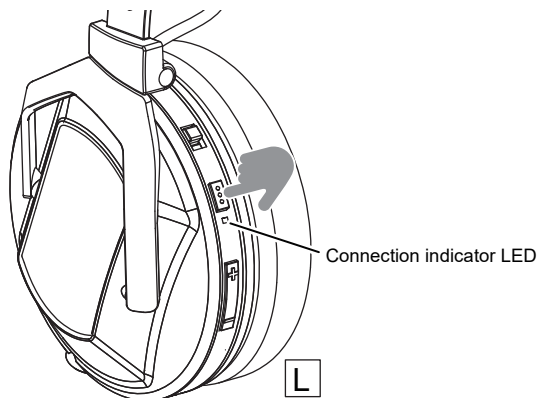
1 Place the headphones within 1 m of the connected DJ device.

- 2 Turn on the SonicLink function on the DJ device.
- 3 Press and hold the SonicLink pairing button on the DJ device.
The device enters pairing mode.
- 4 Slide the headphones connection mode switch up to switch to SonicLink mode.



- 5 With the power turned off, press and hold the multifunction button on the headphones until the connection indicator LED blinks (white).

Pairing a device: Approx. 5 seconds



- When the headphones enter pairing mode, the connection indicator LED blinks (white).
- Make sure the power is turned off before performing the above operation.

6 On the headphones, check the connection to the paired DJ device.

- The connection indicator LED blinks (white) until connection with the DJ device is complete.
- When the connection indicator LED lights (white), pairing is complete.

Notes

- When the headphones power is turned on, or if the headphones connection mode switch is moved to SonicLink mode when the headphones power is turned on, the headphones will attempt to reconnect with the transmitter or DJ device they were last connected to. When connection with a device does not complete within approximately 10 seconds, the headphones automatically enter pairing mode.
- Turning the transmitter power on causes the transmitter to try to reconnect to the last pair of headphones it was connected to. When connection with a device does not complete within approximately 10 seconds, the transmitter automatically enter pairing mode.
- The headphones power will turn off if connection to the device does not complete within 5 minutes. If this happens, redo the pairing.
- If sound cuts out or noise occurs when using 2 or more pairs of headphones, try adding more distance between the headphones and between the transmitters.
- The volume buttons on the headphones are disabled when the headphones are connected via SonicLink. Adjust the volume on the playback device.

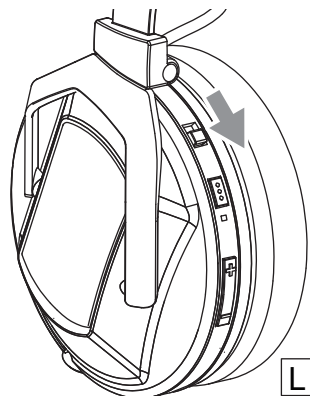
Connecting via Bluetooth

Preparations

- Bring the Bluetooth device within approximately 1 m of the headphones.
- If necessary, read the user manual of the device you want to connect for instructions on how to use it.

Connect the headphones with the Bluetooth device.

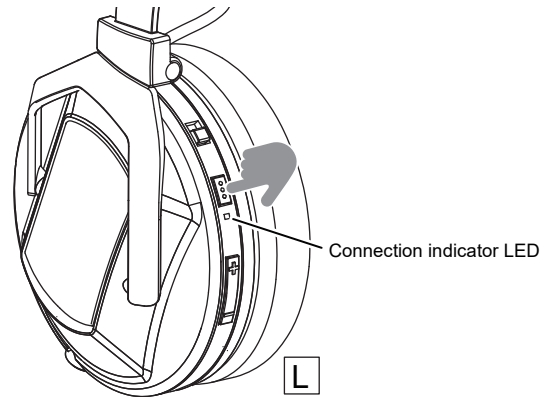
- 1 **Slide the connection mode switch down to switch to Bluetooth mode.**



- 2 **With the power turned off, press and hold the multifunction button on the headphones until the connection indicator LED blinks (blue).**

Pairing a device for the first time: Approx. 2 seconds

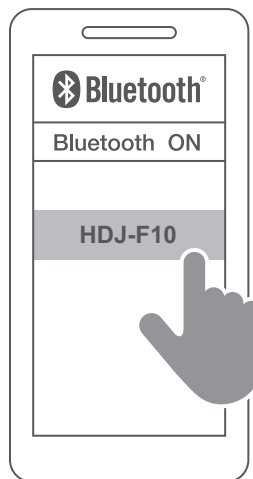
When pairing the second or subsequent device: Approx. 5 seconds



- When the headphones enter pairing mode, the connection indicator LED blinks (blue).
- Make sure the power is turned off before performing the above operation.

3 Turn on the Bluetooth device and activate it.

4 From the Bluetooth menu on the Bluetooth device, select the device name “HDJ-F10”.



- In some cases, the MAC address “□□□□□□” appears before “HDJ-F10” is displayed. (“□” is a value unique to that device.)
- If a passkey entry is requested, enter the passkey of the headphones “0000” (4 zeros).

5 On the headphones, check the connection to the paired Bluetooth device.

- The connection indicator LED blinks (blue) until connection with the device is complete.
- When the connection indicator LED lights (blue), pairing is complete.

Notes

- When the headphones power is turned on, or if the headphones connection mode switch is moved to Bluetooth mode when the headphones power is turned on, the headphones will attempt to reconnect with the Bluetooth device they were last connected to. When connection with a device does not complete within approximately 10 seconds, the headphones automatically enter pairing mode.
- The headphones power will turn off if connection to the Bluetooth device does not complete within 5 minutes. If this happens, redo the pairing.
- Only one Bluetooth device can be connected to the headphones at a time.
- The headphones can pair with up to 8 Bluetooth devices. If the maximum number of devices are paired, the oldest device pairing will be overwritten every time you pair a new one. You'll need to pair those devices again if you want to use them.
- If the headphones are near to a Bluetooth device they were previously connected to, they may automatically connect to the device when you turn them on. To connect to a different Bluetooth device, turn off the Bluetooth function of the connected device or turn off the headphones and pair them again.

Listening to music

Listening to music via SonicLink

You can use this low-latency wireless function to listen to music.

- 1 **Connect the headphones with a transmitter or a DJ device equipped with SonicLink (Page 9).**

2 Play music on the DJ device.

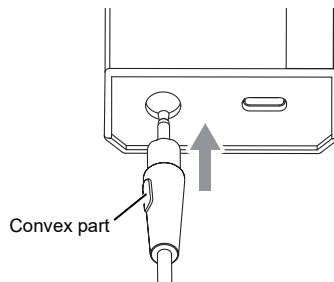
- When the headphones are fully charged, playback time is approximately 9 hours. (Sometimes less depending on the conditions of use.)

Notes

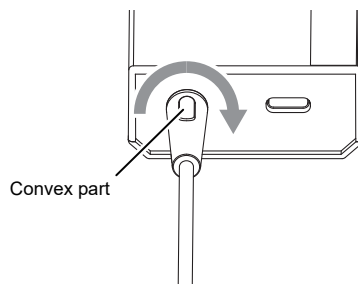
- Sound may leak out of the headphones at certain volume levels.
- Sound may be distorted when you increase the volume to the level that the input indicator LED on the transmitter lights up red. If this happens, lower the volume of the playback device until the music sounds clear.

❖ To attach the cable to the transmitter

- 1 Hold the convex part of the cable plug at the angle shown in the diagram below and insert the cable plug.

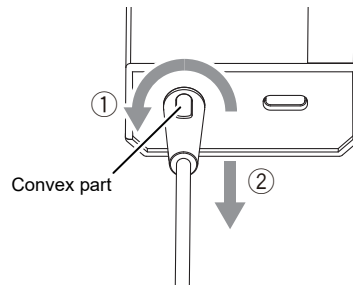


- 2 Rotate the convex part of the cable plug approximately 45 degrees clockwise to the position shown in the diagram to lock the cable plug.



❖ To detach the cable from the transmitter

- 1 **Rotate the convex part of the cable plug approximately 45 degrees counterclockwise, then pull out the cable plug.**



Listening to music via Bluetooth

If the Bluetooth device is compatible with both A2DP and AVRCP Bluetooth profiles, you can use the remote control on the headphones to perform actions such as starting music playback and skipping tracks.

- A2DP (Advanced Audio Distribution Profile): Transfers sound to the headphones.
- AVRCP (Audio/Video Remote Control Profile): Allows remote control operation from the headphones.

1 **Connect the Bluetooth device to the headphones (Page 14).**

2 **Choose the music or video you want to listen to from the Bluetooth device.**

- The sound from the music or video plays back through the headphones.
- When the headphones are fully charged, playback time is approximately 30 hours. (Sometimes less depending on the conditions of use.)

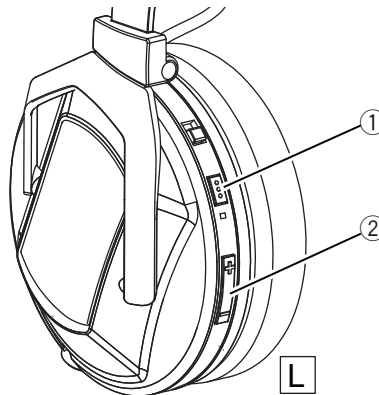
Notes

- Sound may leak out of the headphones at certain volume levels.
- Increasing the volume of the headphones to nearly maximum may cause music, etc. to sound distorted. If this happens, lower the volume until the music sounds clear.

❖ Remote control operation

Press the buttons on the headphones to operate the Bluetooth device remotely.

- Depending on the Bluetooth device, some functions may not operate when the headphone buttons are pressed, or they may operate differently from the descriptions below.



| Button | Operation | Action |
|------------------------|---------------|--|
| ① Multifunction button | Press once | Play/Pause |
| | Press twice | Skip to next track |
| | Press 3 times | Back to the beginning of the current track |
| ② Volume button | + short press | Increase the volume by one step |
| | + long press | Increase the volume continuously |
| | - short press | Decrease the volume by one step |
| | - long press | Decrease the volume continuously |

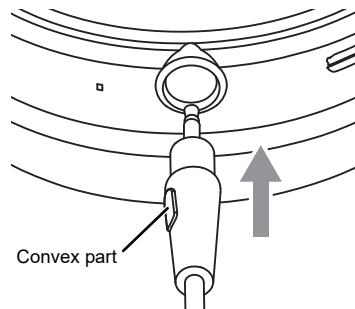
Notes

The volume can be adjusted in 15 steps. When the maximum or minimum level is reached, an electronic tone sounds if the volume button is pressed.

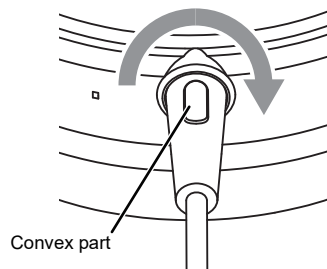
Listening to music via the supplied cable

❖ To attach the cable

- 1 Hold the convex part of the cable plug at the angle shown in the diagram below and insert the cable plug.

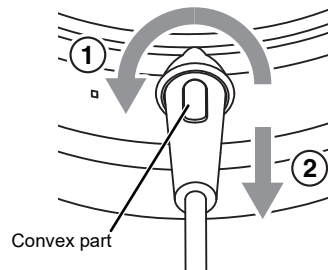


- 2 Rotate the convex part of the cable plug approximately 45 degrees clockwise to the position shown in the diagram to lock the cable plug.



❖ To detach the cable

- 1 **Rotate the convex part of the cable plug approximately 45 degrees counterclockwise, then pull out the cable plug.**



Notes

- Bluetooth and SonicLink won't turn on when the headphones are connected with the cable.
- The noise canceling function can't be used when the headphones are connected with the cable.
- The plug on the headphones/transmitter end of the cable supplied with this product has a structure to enable smooth insertion and removal, and secure locking in place to reduce the risk of accidental disconnection during DJ performances. This product is compatible with the cables supplied with the HDJ-CX and HDJ-S7 headphones as they employ the same plug structure.
- If a cable is attached while a Bluetooth connection is active, the Bluetooth function on the headphones turns off.
- If a cable is attached while a SonicLink connection is active, the SonicLink function on the headphones turns off.

Call

If your phone (cell phone, smartphone, etc.) is compatible with HSP or HFP Bluetooth profiles, you can use the headphones for phone calls.

- HSP (Headset Profile): You can receive mono sound in the headphones and talk back via the microphone (⑤).
- HFP (Hands-Free Profile): Includes communications transmission and receiving functionality in addition to HSP functions.
- Connect a Bluetooth-compatible phone to the headphones. For information on how to connect, see “Connecting via Bluetooth” (Page 14).

1 (Receiving an incoming call) Press the multifunction button on the headphones once to receive a call.

(HFP only) To refuse a call, press and hold the multifunction button for at least 2 seconds.

(Making a call) Make a call on a Bluetooth-compatible phone.

- Read the user manual of the Bluetooth-compatible phone.
- To cancel the call, press the multifunction button once. The headphones emit an electronic tone.

2 Call

You can also adjust the volume while on a call. For information on configuring settings, see “Remote control operation” (Page 19).

3 Press the multifunction button on the headphones once to finish a call.

The headphones emit an electronic tone.

Notes

- The headphones only support receiving normal phone calls. They are not compatible with smartphone or PC/Mac calling applications.
- Operation of hands-free settings, etc., on the Bluetooth-compatible phone may be necessary.
- Depending on the Bluetooth-compatible phone, the ringtones and ring-back tones may be heard from the headphones.
- When using the headphones in locations where there are high levels of sound from the surrounding area, or in windy locations such as outdoors, conversations may be difficult to

hear. In such cases, move to a different location or switch from using the headphones to using the phone itself.

- The call function is not supported while the supplied cable is connected.

Using the voice control function

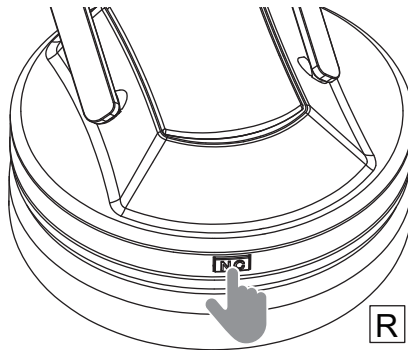
You can use the voice control function of the connected device (Siri or Google Assistant) through the microphone on the headphones.

- The voice control function can only be used when connected via Bluetooth.
- The connected device must be compatible with voice control operation.

Using the voice control function (Siri or Google Assistant)

- 1 Press and hold the noise canceling button on the base of the right (R) ear cup of the headphones for 3 seconds.**

The voice control function activates.



- 2 Remove your finger from the noise canceling button, and say your request to Siri or Google Assistant.**

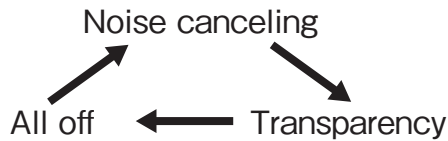
- To turn off the voice control function, press and hold the noise canceling button again for 5 seconds.

Notes

- There is no voice guidance or LED on the headphones to indicate whether the voice control function is activated or deactivated. Check the screen of your connected device supporting the voice control function.

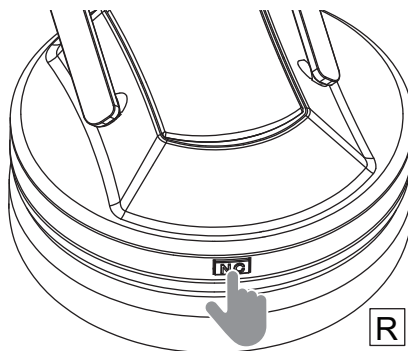
Using the noise canceling function

To use the noise canceling function, use the dedicated button. The functions switch as follows each time you press the noise canceling button, with voice guidance to tell you the current mode.



| Mode | Effect | Voice guidance |
|-----------------|--|---------------------|
| Noise canceling | Significantly reduces ambient noise. | Noise canceling on |
| Transparency | Allows you to hear ambient noise while wearing the headphones. | Transparency mode |
| All off | The noise canceling and transparency functions are turned off. | Noise canceling off |

- Turning the power on always starts the headphones in the All off state.



Notes

- The noise canceling function is enabled only when the headphones are connected via Bluetooth.
- It is disabled when connected via SonicLink or a cable.

Other functions

Reset

If you find that you can't use the headphones, you can reset them.


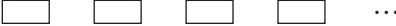

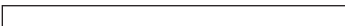

- 1 Press the multifunction button and + volume button simultaneously for at least 5 seconds while the power is on.**

All previous operations will be reset. (Information on paired devices will also be deleted.)

After resetting, the power is turned off.

Connection indicator LED (headphones)





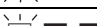

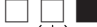

Blinks specific sequences and colors to indicate the wireless connection status of the headphones.

| Action | LED pattern | |
|---|----------------------------------|--|
| Power on | Light (about one second) |  |
| When not connected (waiting for connection) | Blinks slowly |  |
| Pairing mode (searching for device) | Blinks quickly |  |
| Connecting | Light |  ... |
| Paired device is being reset | Blinks quickly (about 2 seconds) |  |

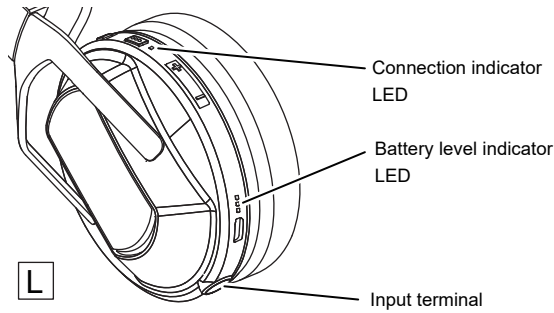
- Lights blue in Bluetooth mode and white in SonicLink mode.
- Always unlit when the input terminal is connected.
- The battery level indicator also blinks while the paired device is being reset.

Battery level indicator LED (headphones)

The blinking state of the LED indicates power on/off and the remaining battery level.

| Battery level | LED pattern | |
|-------------------------|----------------------------------|--|
| 100% to 60% | 3 lights |  |
| 60% to 30% | 2 lights |  |
| 30% to 10% | 1 light |  |
| 10% to 0% | 1 blink |  |
| Charging 0% to 30% | 1 blink |  |
| Charging 30% to 70% | 1 light, 1 blink |  |
| Charging 70% to 99% | 2 lights, 1 blink |  |
| Charging completes 100% | 3 lights (3 seconds) → Turns off |  |

- When charging completes, the LED turns off.



Connection indicator LED (transmitter)

Blinks specific sequences and colors to indicate the wireless connection status of the transmitter.

| Action | LED pattern | |
|---|--------------------------|--|
| Power on | Light (about one second) | |
| When not connected (waiting for connection) | Blinks slowly | |
| Pairing mode (searching for device) | Blinks quickly | |
| Connecting | Light | |

Input indicator LED (transmitter)






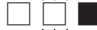


The lit state changes depending on the level of the input signal.

| Input level | LED pattern | |
|-------------------|--------------------|--|
| Input level: Low | Dark green light | |
| Input level: High | Bright green light | |
| Input level: Over | Red light | |

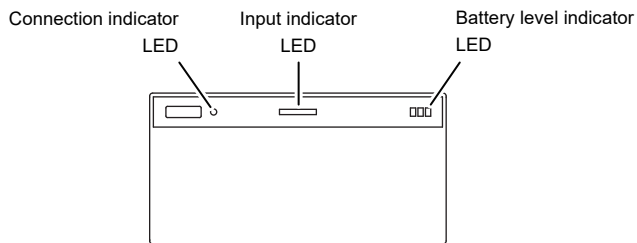
- It changes to the blinking state to indicate mono input.

Battery level indicator LED (transmitter)

The blinking state of the LED indicates power on/off and the remaining battery level.

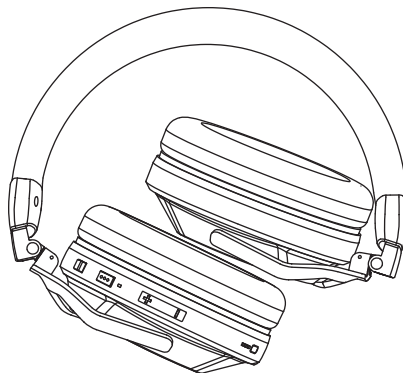
| Battery level | LED pattern |
|-------------------------|---|
| 100% to 60% | 3 lights  |
| 60% to 30% | 2 lights  |
| 30% to 10% | 1 light  |
| 10% to 0% | 1 blink  |
| Charging 0% to 30% | 1 blink  |
| Charging 30% to 70% | 1 light, 1 blink  |
| Charging 70% to 99% | 2 lights, 1 blink  |
| Charging completes 100% | 3 lights (3 seconds) → Turns off  |

- When charging completes, the LED turns off.



Foldable structure

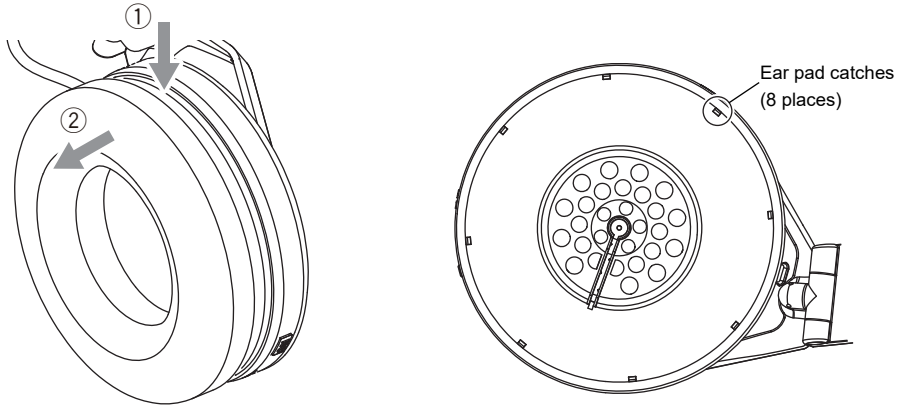
The headphones are designed to allow folding into a compact shape when not in use.



Removable ear pads

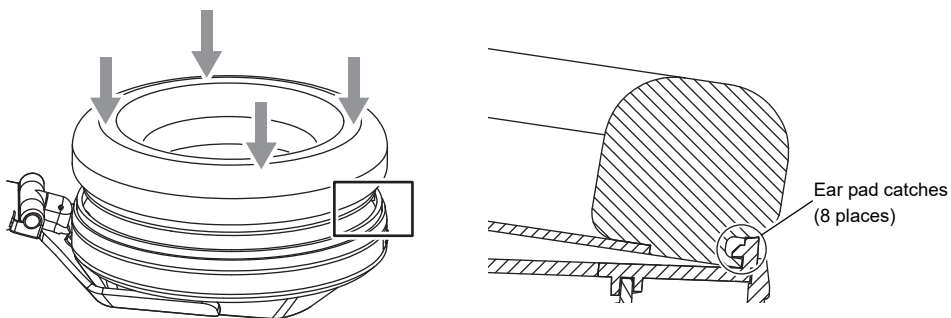
❖ To remove the ear pads

The ear pads are secured by catches on the interior of the housing. Gently press the bottom of the ear pad inward as shown in the diagram, then remove the ear pad while detaching it from the catches.



❖ To attach the ear pads

Push the base of the ear pad into the housing, then attach the 8 catches to fix it in place. If stiff, place the ear pad at an angle as shown in the diagram, then push the catches into place one at a time.



Troubleshooting

- As operation of Bluetooth devices differs according to the device, please read the user manual of your Bluetooth device for more information.
- If you can't resolve the problem after reading the device's user manual, reset the headphones. For information on resetting, see "Reset" (Page 25).
- If they do not function normally even after following the steps below, read the Precautions for Use and consult an authorized service company or your dealer.

General

❖ The power does not turn on.

- Charge the headphones and transmitter.
- Note that the power will not turn on when the cable is connected to the input terminal of the headphones.

❖ The headphones and transmitter won't charge.

- Check that the headphones, transmitter, and USB power adapter are firmly connected with the supplied USB charging cable.
- Check that the USB power adapter is securely inserted into an AC outlet.

❖ The noise canceling function doesn't seem to work.

- Check if the noise canceling function is turned on.
- Noise canceling effects may not be apparent due to the surrounding environment or the type of noise.

❖ No sound is output when the cable is connected.

- Check that the supplied cable is connected securely to the headphones, transmitter or the playback device.

❖ Noise canceling mode won't change.

- Check whether Bluetooth is connected.

When you want to use SonicLink

❖ Can't pair via SonicLink.

- Bring the headphones and the transmitter or the device you want to pair close together before pairing.

❖ Can't connect with SonicLink.

- Check that the connection mode switch is set to SonicLink mode (the connection indicator LED is white).
- Check that the headphones and the transmitter are both turned on.

❖ The transmitter input indicator LED does not light.

- Check whether the sound signal is being input into the transmitter input terminal.
- Check if the volume of the playback device connected to the transmitter input terminal is too low.

❖ No sound is output.

- Check that the headphones and the transmitter are both turned on.
- Check that the supplied cable is connected securely to the transmitter and the playback device.
- Adjust the volume of the playback device until the transmitter input indicator LED lights up green.

❖ The volume can't be adjusted

- The volume buttons on the headphones are disabled when the headphones are connected via SonicLink. Adjust the volume on the playback device.

❖ The sound is distorted.

- Check if there are any devices nearby, such as microwave ovens or wireless radios, emitting electromagnetic waves in the 2.4 GHz frequency band, or if there are any obstacles in the area.
- Adjust the volume of the playback device so that the transmitter input indicator LED does not light up red.

❖ **The transmission distance is short, but the sound skips.**

- Check if there are any devices nearby, such as microwave ovens or wireless radios, emitting electromagnetic waves in the 2.4 GHz frequency band, or if there are any obstacles in the area.
- If sound cuts out or noise occurs when using 2 or more pairs of headphones, try adding more distance between the headphones and between the transmitters.

When you want to use Bluetooth

❖ **Can't pair via Bluetooth.**

- Bring the headphones and the device close together before pairing.

❖ **Can't establish a Bluetooth connection.**

- Check that the connection mode switch is set to Bluetooth mode (the connection indicator LED is blue).
- Check that the headphones and the paired device are both turned on.
- Check that the Bluetooth function on the paired device is turned on.

❖ **No sound is output (when playing music).**

- Check that the headphones and the paired device are both turned on.
- Use an A2DP-compatible Bluetooth device.
- Check if the paired device is playing music.
- Check that the playback volume is not too low on the headphones and paired device.

❖ **The sound is distorted (when playing music).**

- Check if there are any devices nearby, such as microwave ovens or wireless radios, emitting electromagnetic waves in the 2.4 GHz frequency band, or if there are any obstacles in the area.

❖ **Hands-free operation isn't working.**

- Use an HFP or HSP-compatible Bluetooth device.
- If the paired device is connected via Bluetooth using A2DP, a switchover may be required, depending on the device specifications.

❖ **The transmission distance is short, but the sound skips.**

- Check if there are any devices nearby, such as microwave ovens or wireless radios, emitting electromagnetic waves in the 2.4 GHz frequency band, or if there are any obstacles in the area.

Specifications

Headphones HDJ-F10

General

| | |
|---|--|
| Power..... | DC 5 V (when charging), DC 3.7 V (built-in rechargeable lithium polymer battery) |
| Playback time (in SonicLink mode)* ¹ | Approximately 9 hours |
| Playback time (in Bluetooth mode)* ¹ | Approximately 30 hours (with ANC ON) |
| Charging time* ² (+25 °C (+77 °F))..... | Approximately 2.5 hours |
| Recommended charging temperature range | +10 °C – +35 °C (+50 °F – +95 °F) |
| Usable temperature range | 0 °C – +40 °C (+32 °F – +104 °F) |
| Usable humidity range | 35 % RH – 80 % RH (with no condensation) |
| Weight..... | 356 g (12.56 oz) |

*1 Sometimes less depending on the conditions of use.

*2 Time required to fully charge from an empty state. Charging time may vary depending on the conditions of use.

Bluetooth

| | |
|-------------------------------------|--|
| Version | Bluetooth standard ver. 5.2 |
| Maximum transmission distance..... | Approximately 10 m* ³ in unobstructed circumstances |
| Frequency band used | 2.4 GHz |
| Compatible Bluetooth profiles | A2DP, AVRCP, HSP, HFP |
| Compatible codecs | SBC, AAC |

*3 Transmission distances are a guideline. The transmission distance may change depending on the connected device and the surrounding environment.

SonicLink

Maximum transmission distance Approximately 15 m*4 in unobstructed circumstances
Frequency band used 2.4 GHz

*4 This is the transmission distance when the transmitter (HP-TX01) is connected. The transmission distance may change depending on the connected device and the surrounding environment.

Headphone section

Type Closed, dynamic
Impedance 32 Ω
Sensitivity 105 dB
Frequency response 5 Hz – 30 000 Hz
Driver ø40 mm (ø1.57")
Plug ø3.5 mm stereo mini plug

Microphone section

Type Electric condenser
Directionality Omni-directional
Active frequency band 100 Hz – 4 000 Hz

Other

Head cushion Nylon
Ear pad Polyurethane (leather-style finish)

Transmitter HP-TX01

General

| | |
|--|--|
| Power..... | DC 5 V (when charging), DC 3.7 V (built-in rechargeable lithium polymer battery) |
| Playback time* ¹ | Approximately 9 hours |
| Charging time* ² (+25 °C (+77 °F))..... | Approximately 4 hours |
| Recommended charging temperature range | +10 °C – +35 °C (+50 °F – +95 °F) |
| Usable temperature range | 0 °C – +40 °C (+32 °F – +104 °F) |
| Usable humidity range | 35 % RH – 80 % RH (with no condensation) |
| Weight..... | 83 g (2.93 oz) |

*1 Sometimes less depending on the conditions of use.

*2 Time required to fully charge from an empty state. Charging time may vary depending on the conditions of use.

SonicLink

| | |
|------------------------------------|--|
| Maximum transmission distance..... | Approximately 15 m* ³ in unobstructed circumstances |
| Frequency band used | 2.4 GHz |

*3 Transmission distances are a guideline. Transmission distance may change depending on the surrounding environment.

Trademarks and Registered Trademarks

- “Google” is registered trademarks of Google LLC.
- Mac, and Siri are trademarks of Apple Inc., registered in the U.S. and other countries and regions.
- The Bluetooth^{®/MD} word mark and logos are registered trademarks owned by Bluetooth SIG, Inc. and any use of such marks and logos by AlphaTheta Corporation is under license. Other trademarks and registered trademarks are those of their respective owners.
- Other product, technology, and company names, etc. mentioned herein are trademarks or registered trademarks of their respective owners.

© 2024 AlphaTheta Corporation. All rights reserved.

<DRI1945-A>